



**INSTALLATION,
OPERATION and USER'S GUIDE**

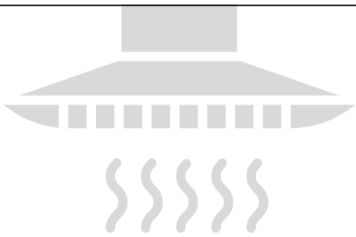
RANGE HOOD

Vented or Ventless | Black or Stainless



MODELS:

**200-2100, 200-4100 VENTED
200-2300, 200-4300 VENTLESS**



INTRODUCTION

Your range hood is made with top grade materials.

It is equipped with a removable metal filter to make cleaning your range hood effortless.

ATTENTION: Please read this manual carefully before use.

*Please periodically wash to prolong the hood's life and keep the kitchen clean.

*Make sure to disconnect the power supply circuit before washing.

WASHING METHOD

Wet a soft cloth with warm water and a neutral detergent. Wipe the hood surface to clean, then wipe again with a dry cloth to remove excess moisture. DO NOT use an alkaline based detergent or a disinfectant because they will be harmful to the hood's surface. Air circulates poorly if any oil left on the metal filter.

Remove the filters and soak it in a mix of neutral detergent and hot water for 30-40 minutes. Allow the filters to dry before it's put back in. Use care when cleaning the metal filter and charcoal filter. Replace the filters every 3 months.

ASSEMBLY WARNINGS

Do not attach the range hood to flammable smoke pipe or chimney. Verify that the power source is suitable for the hood before installation. (12V)

Install the range hood 15 inches above the cook surface.

SAFETY WARNINGS

*The following guidelines protect user's personal safety and keeps belongings from being damaged.

*Please read the content carefully and use the range hood correctly.

*Caution-recreational vehicle use only.

1. Do not install or use the range hood if it is damaged or if there is a loose electrical connection.
2. Please use designated 12v outlet.
3. Children are not to operate the range hood.
4. Do not remove the filters when the hood is in use. (Risk of bodily harm from motor)
5. Be sure that any changes, repairs, or removal of range hood is done by someone with a full understanding of the hood's functions and limitations.
6. Do not put your hands into the range hood when filters are removed for washing. (Risk of bodily harm)
7. Before changing the light bulb on the range hood, turn the light off at least 5 minutes to allow bulb to cool down. (Risk of burns)

8. Do not use benzene, acetone or thinner to clean
9. If you suspect gas has leaked or is in the surrounding area, do not touch the range hood, power cord or outlet. Please insure the air is circulating and the gas dissipates before resuming use of hood. (Risk of spark, a blast, or fire).
10. If there is a loss of power, disconnect the range hood and reconnect after the power has been restored. (Risk of sparks, a blast, or fire)
11. Disconnect the power when washing any part of the range hood.
12. Please insure proper air ventilation when gas burners are in use. (Risk of fire)
13. Please clean the range hood intermittently and use the correct method provided in this manual. (Risk of fire)

LED LIGHT REPLACEMENT METHOD

*Disconnect power and unplug the power cord before performing any other steps.

1. Remove the screw on the LED light, take out the LED light and the cable, pull out the socket.
2. Replace with a new LED light, and connect the socket of the LED light with the one of the cable.
3. To put the cable into frame and assemble the LED light on the frame and fix it by screw.

NOTE: This appliance uses DC 12V as a power supply.

Exposed red wire is "positive pole".

Exposed white wire is "negative pole(-)".

Battery must be connected by someone who has knowledge of the range hood.

Installation method diagram shown on back.

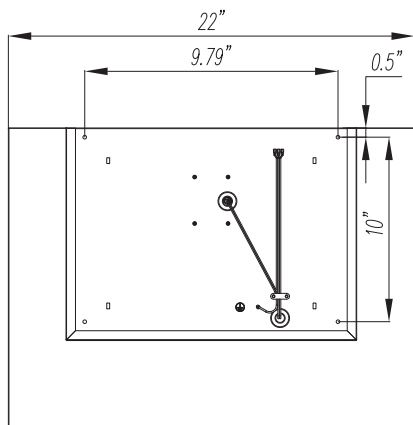
IMPORTANT SAFETY INSTRUCTIONS

READ AND SAVE THESE INSTRUCTIONS WARNING-TO REDUCE THE RISK OF FIRE, OR INJURY TO PERSONS, OBSERVE THE FOLLOWING:

A) Use this unit only in the manner intended by the manufacturer. If you have any questions, contact the manufacturer.

B) Before servicing or cleaning the unit, switch power off at service panel.

**PLEASE READ THESE INSTRUCTIONS CAREFULLY BEFORE
INSTALLING AND/OR OPERATING THE OVEN.**



Fan Motor Rating: 12V DC 0.635A

LED Lamp Rating: 12V DC 0.195A

Fuse Rating: 5A

NOTE: This unit needs a minimum 15 inch clearance above cooking surface when installing

INSTALLATION INSTRUCTIONS:

WARNING – TO REDUCE THE RISK OF FIRE, ELECTRIC SHOCK, OR INJURY TO PERSONS, OBSERVE THE FOLLOWING:

- A) Installation work and electrical wiring must be done by qualified person(s) in accordance with all applicable codes and standards, including fire-rated construction.
 - B) Sufficient air is needed for proper combustion and exhausting of gases through the flue (chimney) of fuel burning equipment to prevent back drafting. Follow the heating equipment manufacturer’s guideline and safety standards such as those published by the National Fire Protection Association (NFPA), and the American Society for Heating, Refrigeration and Air Conditioning Engineers (ASHRAE), and the local code authorities.
 - C) When cutting or drilling into wall or ceiling, do not damage electrical wiring and other hidden utilities.
 - D) Ducted fans must always be vented to the outdoors.
- E) "WARNING-TO REDUCE THE RISK OF FIRE, USE ONLY METAL DUCTWORK."

CAUTION—For general ventilating use only. Do not use to exhaust hazardous or explosive materials and vapors.

WARNING-To reduce the risk of a cooktop grease fire:

- A) Never leave surface units unattended at high settings. Boil overs cause smoking. Greasy spill overs may ignite. Heat oil slowly on low or medium settings.

- B) Always turn hood on when cooking on high heat or when flambéing food.
- C) Clean ventilating fans frequently. Grease should not accumulate on fan or filter.
- D) Use proper pan size. Always use cookware appropriate for the size of the surface element.

WARNING-To prevent injury to persons in the event of a range top grease fire, observe the following:

- A) Smother flames with a close-fitting lid, cookie sheet, or metal tray, then turn off the burner. Be careful to prevent burns. If the flames do not go out immediately, evacuate and call the fire department.
- B) Never pick up a flaming pan.(you may be burned)
- C) Do not use water, including wet dish cloths or towels (a violent steam explosion will result)
- D) Use an extinguisher only if:
 - You know you have a class ABC extinguisher, and you already know how to operate it.
 - The fire is small and contained in the area where it started.
 - The fire department has been called.
 - You can fight the fire with your back to an exit.
 - The minimum clearance distance to be maintained between the cooking surface and the lowest edge of the range hood;
 - There shall be adequate ventilation of the room when the range hood is used at the same time as appliances burning gas or other fuels (not applicable to appliances that only discharge the air back into the room);
 - The details concerning the method and frequency of cleaning;
 - There is a fire risk if cleaning is not carried out in accordance with the instructions;
 - Do not flambé under the range hood;
 - CAUTION: Accessible parts may become hot when used with cooking appliances.
 - The air must not be discharged into a flue that is used for exhausting fumes from appliances burning gas or other fuels (not applicable to appliances that only discharge the air back into the room);



2525 John Weaver Pkwy, Elkhart, IN 46514
 customerservice.invision@airxcel.com | 574.247.9235